



WASHINGTON METROPOLITAN AREA TRANSIT AUTHORITY
600 Fifth Street, NW, Washington, DC 20001-2651

AMENDMENT OF SOLICITATION / MODIFICATION OF CONTRACT

1. AMENDMENT/MODIFICATION AM 03	2. EFFECTIVE DATE
3. ISSUED BY PURCHASING SECTION Office of Procurement and Materials	4. ADMINISTERED BY (If other than block 3) Benjamin T. Kpadeh
5. CONTRACTOR NAME AND ADDRESS <small>(Street, city, county, state, and Zip Code)</small>	6. FORM TYPE (Check only one) <input type="checkbox"/> AMENDMENT OF SOLICITATION NO. FQ15188 DATE <u>June 10, 2015</u> (See block 7) <input type="checkbox"/> MODIFICATION OF CONTRACT/ORDER NO. _____

7. THIS BLOCK APPLIES ONLY TO AMENDMENTS OF SOLICITATIONS

The above numbered solicitation is amended as set forth in block 10. The hour and date specified for receipt of Offers is extended, is not extended. Offerors must acknowledge receipt of this amendment prior to the hour and date specified in the solicitation, or as amended, by one of the following methods; (a) By signing and returning _____ copies of this amendment; (b) by acknowledging receipt of this amendment on each copy of the offer submitted; or (c) by separate letter or telegram which includes a reference to the solicitation and amendment numbers. FAILURE OF YOUR ACKNOWLEDGMENT TO BE RECEIVED AT THE ISSUING OFFICE PRIOR TO THE HOUR AND DATE SPECIFIED MAY RESULT IN REJECTION OF YOUR OFFER. If, by virtue of this amendment you desire to change an offer already submitted, such change may be made by telegram or letter, provided such telegram makes reference to the solicitation and this amendment, and is received prior to the opening hour and date specified.

8. ACCOUNTING AND APPROPRIATION DATA (If required)

9. THIS BLOCK APPLIES ONLY TO MODIFICATIONS OF CONTRACTS/ORDERS

- (a) This Change Order is issued pursuant to _____
The Changes set forth in block 10 are made to the above numbered contract/order.
- (b) The above numbered contract/order is modified to reflect the administrative changes (such as changes in paying office, appropriation data, etc.) set forth in block 10.
- (c) This Supplemental Agreement is entered into pursuant to authority of _____
It modifies the above numbered contract as set forth in block 10.

10. DESCRIPTION OF AMENDMENT/MODIFICATION

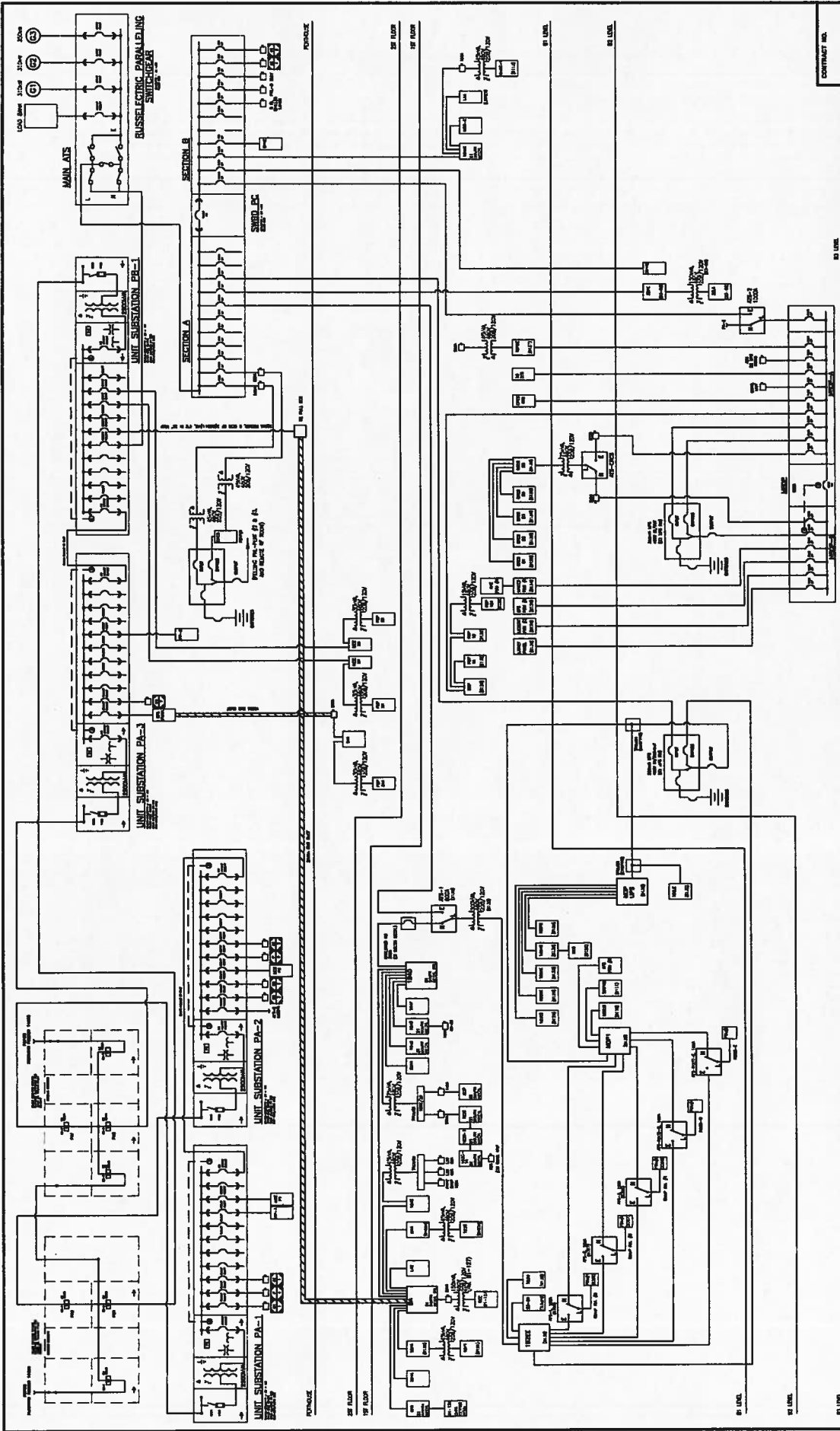
- This Amendment is to provide the line drawing that was not included in the IFB.
- Attached to this Amendment No. AM 03 is the Line Drawing.

END OF AMENDMENT

Except as provided herein, all terms and conditions of the document referenced in block 6, as heretofore changed, remain unchanged and in full force and effect.

11. <input checked="" type="checkbox"/> CONTRACTOR/OFFEROR IS REQUIRED TO SIGN THIS MODIFICATION AND RETURN _____ COPIES TO ISSUING OFFICE.	<input type="checkbox"/> CONTRACTOR/OFFEROR IS NOT REQUIRED TO SIGN THIS DOCUMENT		
12. NAME OF CONTRACTOR/OFFICE BY _____ <small>(Signature of person authorized to sign)</small>	15. WASHINGTON METROPOLITAN AREA TRANSIT AUTHORITY BY <small>(Signature of Contracting Officer)</small>		
13. NAME AND TITLE OF SIGNER (Type or print)	14. DATE SIGNED	16. NAME OF CONTRACTING OFFICER (Type or print) Benjamin T. Kpadeh	17. DATE SIGNED 10 Jun 2015

LINE DRAWING



WASHINGTON METROPOLITAN AREA TRANSIT AUTHORITY DEPARTMENT OF TRANSIT INFRASTRUCTURE AND ENGINEERING SERVICES OFFICE OF THE CHIEF ENGINEERING, INFRASTRUCTURE		JACKSON GRAHAM BUILDING UPS AND PDU REPLACEMENT & POWER UPGRADE SINGLE LINE DIAGRAM-EXISTING	
DESIGNED BY <u>VT</u> <u>12/01/13</u> DRAWN BY <u>VT</u> <u>12/01/13</u> CHECKED BY <u>DAM</u> <u>12/01/13</u> APPROVED BY <u>DAM</u> <u>12/01/13</u>	REFERENCE DRAWINGS NUMBER DESCRIPTION DATE BY	REVISIONS NUMBER DESCRIPTION DATE BY	CONTRACT NO. DRAWING NO. E-101 SHEET NO. 2 OF 19 AS NOTED DATE